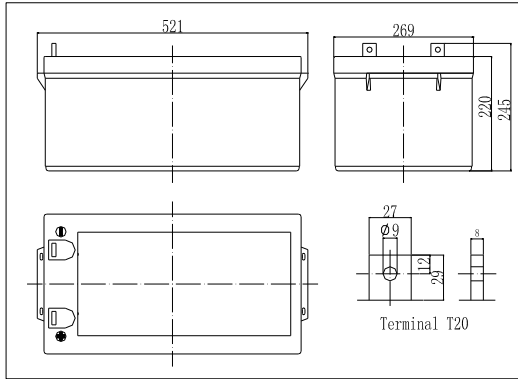
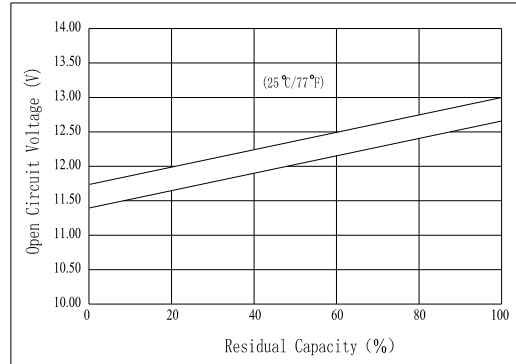


Dimensions



The Relationship for Open Circuit Voltage and Residual Capacity (25°C)

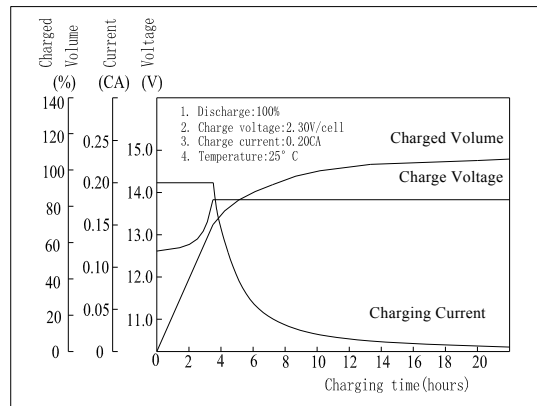


Specifications

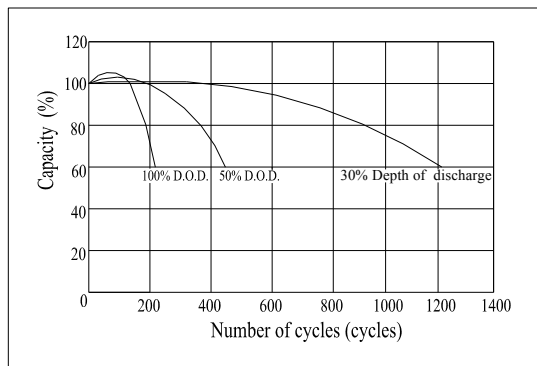
Nominal Voltage		12 V
Capacity(10HR, 25°C)		250 Ah
Dimension	Length	521mm (20.51inch)
	Width	269mm (10.59inch)
	Height	220mm (8.66inch)
	Total Height	245mm (9.65inch)
Approx. Weight		78.0kg (172.0lbs)
Internal resistance (Fully charged, 25°C)		Approx.2.6m Ω
Capacity affected by temperature (10HR)	40°C	102%
	25°C	100%
	0°C	85%
	-15°C	65%
Self-discharge (25°C)	3 month	Remaining Capacity: 91%
	6 month	Remaining Capacity: 82%
	12 month	Remaining Capacity: 65%
Nominal operating temperature		25°C ±3°C(77°F ±5°F)
Operating temperature range		-15°C ~50°C (5°F ~122°F)
Float charging voltage(25°C)		13.50 to 13.80V
Cyclic charging voltage(25°C)		14.50 to 14.90V
Maximum charging current		75A
Terminal material		Copper
Maximum discharge current		1800A(5 sec.)

- ◆ Absorbent glass mat technology;
- ◆ Recognized by UL & CE;
- ◆ ABS container.

Charging Characteristics(25°C)



Cycle Life(25°C)



Note: Floating life at 20°C designed for 7 to 10 years.

Constant Current Discharge Characteristics (A, 25°C)

F.V/TIME	5min	10min	15min	30min	60min	3h	5h	10h	20h
9.60V	803	536	417	263	159	64.7	45.7	25.4	13.3
10.2V	763	509	400	252	153	63.8	45.0	25.2	13.2
10.8V	717	478	380	239	145	62.5	44.1	25.0	13.1

Constant Power Discharge Characteristics (Watt, 25°C)

F.V/TIME	5min	10min	15min	30min	60min	3h	5h	10h	20h
9.60V	8434	5783	4575	2946	1813	761	540	303	160
10.2V	8012	5494	4392	2829	1741	750	532	300	158
10.8V	7532	5165	4172	2687	1654	735	521	300	158